

Technical data sheet



Product features

Cooling cabinet 130 l, glass door, white

Model	SAP Code	00018508
--------------	-----------------	----------



- Chamber volume [l]: 130
- Minimum device temperature [°C]: 0
- Maximum device temperature [°C]: 10
- Insulation thickness [mm]: 40
- Control type: Digital
- Door lock: Yes
- Opening of device: Two-sided
- Annual energy consumption [kWh]: 231

SAP Code	00018508	Chamber volume [l]	130
Net Width [mm]	600	Gross Volume [m3]	0.425
Net Depth [mm]	615	Net Volume [m3]	0.315
Net Height [mm]	855	Minimum device temperature [°C]	0
Net Weight [kg]	47.00	Maximum device temperature [°C]	10
Power electric [kW]	0.158	Refrigerant	R290
Loading	230 V / 1N - 50 Hz	Refrigerant weight [g]	46.00
Energy class	B	Climate class	3

Technical data sheet



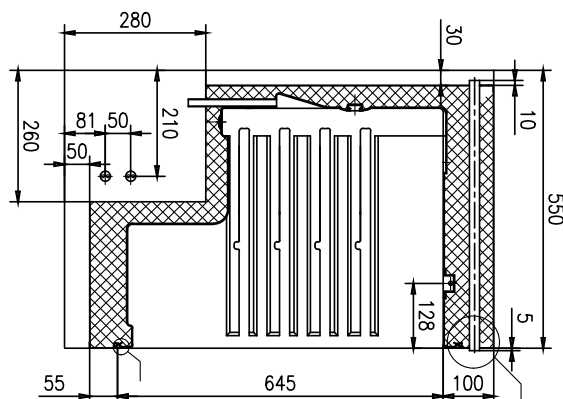
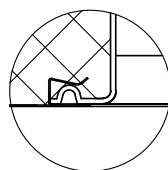
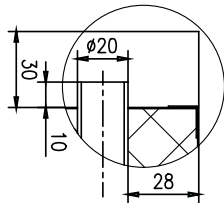
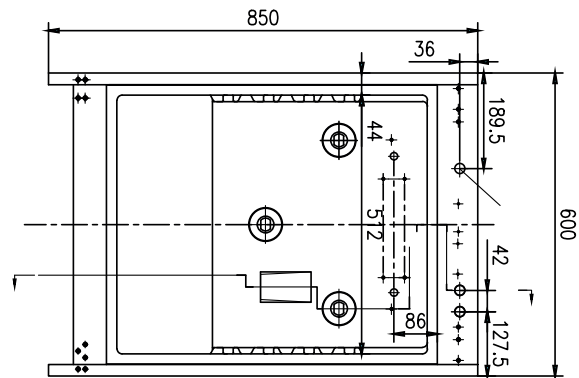
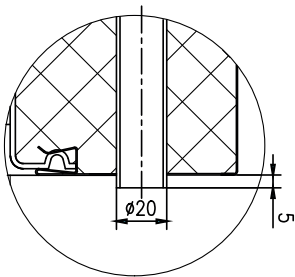
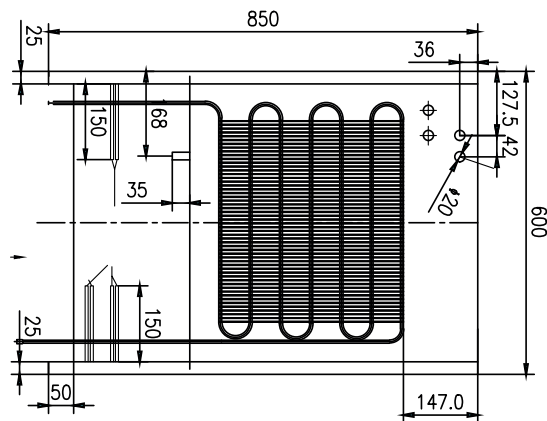
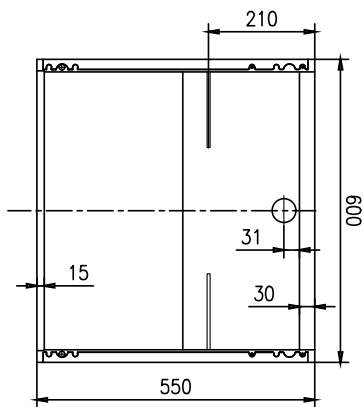
Technical drawing

Cooling cabinet 130 l, glass door, white

Model

SAP Code

00018508



Technical data sheet



Technical parameters

Cooling cabinet 130 l, glass door, white

Model	SAP Code	00018508
--------------	-----------------	----------

1. SAP Code:

00018508

2. Net Width [mm]:

600

3. Net Depth [mm]:

615

4. Net Height [mm]:

855

5. Net Weight [kg]:

47.00

6. Gross Width [mm]:

625

7. Gross depth [mm]:

645

8. Gross Height [mm]:

1055

9. Gross Weight [kg]:

52.00

10. Device type:

Electric unit

11. Power electric [kW]:

0.158

12. Loading:

230 V / 1N - 50 Hz

13. Energy class:

B

14. Refrigerant:

R290

15. Cooling type:

Static with fan

16. Material:

Lacquered sheet metal

17. Exterior color of the device:

White

18. Min ambient temperature [°C]:

10

19. Max ambient temperature [°C]:

43

20. Device properties 2:

Cooling

21. Chamber volume [l]:

130

22. Gross Volume [m3]:

0.425

23. Net Volume [m3]:

0.315

24. Worktop material:

Tin-plate

25. Adjustable feet:

Yes

26. Insulation thickness [mm]:

40

27. Opening of device:

Two-sided

28. Gasket:

Yes

Technical data sheet



Technical parameters

Cooling cabinet 130 l, glass door, white

Model

SAP Code

00018508

29. Number of doors:

1

35. Maximum device temperature [°C]:

10

30. Unit:

Yes

36. Thaving cycle:

Yes

31. Control type:

Digital

37. Refrigerant weight [g]:

46.00

32. Door lock:

Yes

38. Number of grids:

3

33. Annual energy consumption [kWh]:

231

39. Climate class:

3

34. Minimum device temperature [°C]:

0